

Pressure- and differential pressure transmitter PTE200

Electronic transmitter with a wide range of process connections. Stainless steel housing with hygienic design.



EUROTHERM

PTE200

series of pressure transmitters with great flexibility.

Modular built. A wide range of process connections and electronics can be chosen.

Hygienic design

stainless steel, no dirt collecting gaps or pockets. Easy to clean and minimal risk for corrosion.

Constructed for washing with high pressure cleaners.

IP67 housing.

Can be delivered with 19 different directly connected process connections for both pressure and differential pressure.

Accuracy of 0,1 %.

EMC rugged construction. Housing in stainless steel with excellent shielding.

Different electronics.

- Analogue, 4-20 mA
- HART, 4-20 mA
- Profibus PA
- FOUNDATION fieldbus (release 2006)

150°C media temperature (short time 200°C).



EUROTHERM AB
Lundavägen 143,
SE-212 24 MALMÖ.
Tfn +46 (0)40 38 45 00
Fax +46 (0)40 38 45 45.

EUROTHERM AB
Box 664,
SE-645 59 STRÄNGNÄS.
Nordfeldts väg 9,
Tfn +46 (0)152 241 30
Fax +46 (0)152 241 38.

EUROTHERM AB
Bangårdsvägen 8,
SE-428 36 KÅLLERED.
Tfn +46 (0)31 23 54 80
Fax +46 (0)31 22 40 83.

EUROTHERM DANMARK A/S
Østmarken 7
DK-2860 SØBORG
Tfn +45 70 23 46 70
Fax +45 70 23 46 60

EUROTHERM DANMARK A/S
Enghavevej 11,
DK-7100 VEJLE.
Tfn +45 76 40 07 14
Fax +45 70 20 13 12.

EUROTHERMAS
Postboks 227,
N-1326 LYSAKER.
Vollsveien 13 D,
Tfn +47 67 59 21 70
Fax +47 67 11 83 01.

EUROTHERM FINLAND
Aurakatu 12 A,
FIN-20100 TURKU.
Tfn +358 22 50 60 30
Fax +358 22 50 32 01.

Transmitter types, order codes:

The transmitters order codes for different configurations can be found from the table below. All combinations are not possible, see next page for exceptions.

PTE200 x x x - x x x x x

	Description	Suffix	Design	Figure 1	Figure 2	Figure 3	Figure 4
Electronics	Analogue 4-20 mA	A					
	HART 4-20 mA	H					
	Profibus PA	PA					
	Foundation Fieldbus	FF					
Design	Intrinsic safe (1)		E				
	Lightning protected		L				
Diaphragm	Stainless steel 1.44621 (5)			3			
	Hastelloy C-276 (5)			4			
	Tantalum (5)			5			
Connection	R 1/2" external.				1		
	NPT 1/2" external.				2		
	R 1 1/2" external				3		
	Flange 80 mm/3"				4		
	Flange 50 mm/2"				5		
	Removable during oper.				6		
	DIN11851/40 mm				7		
	SMS Rd60-6				8		
	Clamp 38				9		
	Clamp 51				A		
	RJT 1 1/2"				C		
	DRD Connection				D		
	DIN11851/50 mm				E		
	Hygienic front connection				P		
	Varivent 2"				V		
	Differential pressure (3)				G		
	Diff. pressure with flange (3)				H		
DP with capillary tube (3)				T			
Transmitter with capillary tube (3)				N			
Span min.-max.	0,24-7 kPa					1	
	1,2-35 kPa					2	
	6,7-200 kPa					4	
	0,067-2 MPa					6	
	0,14-4 MPa (4)					7	
	0,27-8 MPa					7	
	0,5-15 MPa					8	
Meas. type	Atmospheric pressure						0
	Absolute pressure						2
Filling liquid	Silicon oil (2)						Empty
	Oil free design (6)						H

Ordering example: Threaded transmitter with external R1/2" connection, pressure range 0-90 kPa for atmospheric pressure and HART electronics (silicon oil filling and Hastelloy diaphragm) will have order code: **PTE200H-4140** with calibrated measuring range 0-90 kPa.

- (1) Not with analogue electronics.
- (2) FDA approved silicon oil.
- (3) Type G with connection 1/4" NPT thread. Type H with flange 80 mm/3" one side. Type T see description on next page.
- (4) Only for connection 8 (SMS Rd60-6).
- (5) See next page for permitted combinations.
- (6) Oil free and filled with halocarbon.

Transmitter types, description:

Threaded transmitter R 1/2" and NPT 1/2". (1 and 2)

The threaded transmitter with connection to R 1/2" thread is intended for clean media. At a media temperature higher than 90°C, a cooling pipe is used to prevent too high temperature at the sensor.

The threaded connection is normally sufficient to keep the transmitter in place. At specific conditions or wall installation the transmitter can be supported and reinforced with an installation kit.

(Exceptions: Normally not available with tantalum diaphragm.)

Threaded transmitter with extended diaphragm, R1½". (3)

This transmitter connection with a connection to a 1½" thread is intended for fibre-rich and viscous media. The extended front diaphragm is in connection with the media without any pocket inside the tank or pipe.

An optional adapter is available for connection to a 2" thread and an optional welding sleeve for R1½". There are no additional requirements on the installation. The transmitter may also be connected inside a threaded R1½" cylinder, such as a pipe sleeve or shut-off valve.

(Exceptions:

Not available with tantalum diaphragm and pressure range 14 and 35 kPa.

The highest pressure range for this connection type is 4 MPa.)

Flange connected transmitter. Flange 80 mm/3", Flange 50 mm/2" and DRD flange. (4, 5 and D)

A flange connected transmitter is intended for level measurement in open tanks with liquid media, even with fibre rich and/or viscous media. The risk of blockage is eliminated by the large area of the exposed diaphragm.

The transmitter is clamped between standard flange rings. The transmitter fits slip-on flanges of ANSI or DIN type. For transmitters with flange connection, the type of flange has to be stated at the time of order. (see Accessories).

PTE200 with flange 50 mm/2" and six holes, for use with MWP10 is supplied upon request.

(Exceptions: Not available with tantalum diaphragm combined with pressure range 14 and 35 kPa. The highest pressure range for this connection type is 4 MPa. Note that

the limits depends on flange type.)

Hygienic clamp connected transmitter.

Clamp38, Clamp51, hygienic front connection and Varivent. (9, A, P and V)

A clamp connected transmitter is used when special hygiene requirements are needed, such as those in the food and pharmaceutical industry. The design meets ISO 2852 and the transmitter is easy to install and remove.

If clamp 38 connection is not available, the optional connector piece, clamping ring and gasket ring may be used. Connection details for clamp 51, hygienic front connection and Varivent is available upon request but not available from stock.

(Exceptions: Normally not available with tantalum or stainless steel diaphragm.

The highest pressure range for clamp 38/51 and Varivent is 2 MPa. Note that the limits depends on clamping ring type.)

Hygienic screw connected transmitter.

DIN11851/40 mm, SMS Rd60-6, DIN11851/50 mm. (7, 8, C, E)

A screw connected transmitter giving a hygienic connection, for example, used in the Dairy industry. The exposed diaphragm has direct contact with the media which make it possible for the transmitter to measure even viscous liquid media, without becoming silted up.

The transmitter is installed in accordance with the Rd 60-6 connection of SMS 1146, DIN 405 and DIN 11851. The transmitter is screwed to the connector.

(Exceptions: Normally not available with tantalum or stainless steel diaphragm.

The highest pressure range for DIN11851/40 is 2 MPa. The highest pressure range for SMS Rd60-6 is 8 MPa.)

Transmitter removable during operation. (6)

This transmitter type is intended for liquid media, even with viscous or fibre-rich media. The extended diaphragm is in connection with the media without any pocket inside the tank or pipe.

The transmitter can be exchanged during operation and comprises three parts; the transmitter, a ball valve and a welded casing/compression flange. This compression flange is designed to fit an ANSI or DIN 80 mm/3" flange and may be installed to

measure levels according to the hydrostatic principle.

(Exceptions: Normally not available with tantalum diaphragm.

The highest pressure range for this transmitter type is 2 MPa.)

Differential pressure transmitter. (G, H and T)

Differential pressure transmitters is used to measure the difference between two pressures. The transmitter types G and H can withstand high static pressures, both one- and doublesided, (up to 15 MPa). The transmitter type G has threaded connection and type H has one side threaded and the other side with flange 80 mm.

They are used for level measurements in pressure vessels and flow measurements of gases, liquids and vapour. Other application areas are differential pressure measurements across filters or heat exchangers, and pressure measurements with narrow measurement ranges where there is a danger of high one-sided pressure overload.

The differential pressure transmitter type T can be delivered with two process connections 3-9, A, C, D, E och V. One side is directly connected to the transmitter and the other side with a capillary tube (normal length of the capillary tube is 2000 mm, other length upon request).

(Exceptions: Type G: Threaded connection is not available with tantalum or stainless steel diaphragm. Flange connection is not available with Tantalum diaphragm. The highest pressure range is 0,8 MPa.

Type T: Highest static pressure is the same as the overload for the pressure range. Same exceptions as for the chosen process connection.)

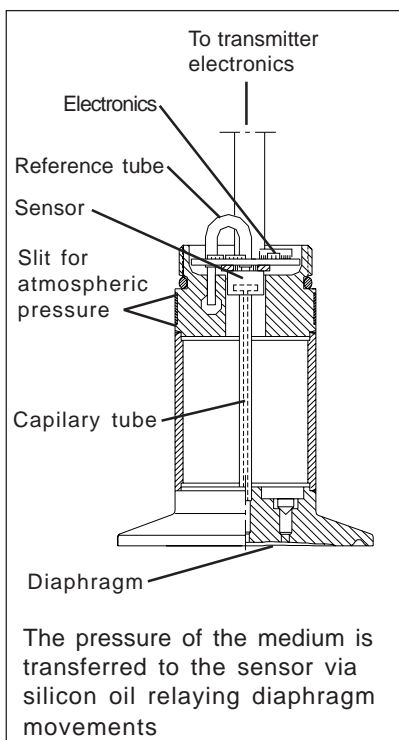
Transmitter with capillary tube. (N)

This transmitter type is designed with the connection (with the measuring diaphragm) separated from the transmitter housing. The media pressure is transferred via a capillary tube (normal length of the capillary tube is 1000 mm, other length upon request) to the sensor located in the transmitter housing. This type can be delivered with process connections 3-9, A, C, D, E and V. The transmitter type is designed for applications with high vibration levels or high ambient temperatures.

Withstands extremely high media temperatures (max 275 degrees C).
(Exceptions: Same exceptions as for the chosen process connection.)

Function: Transmitter for Pressure and Level

The PTE200 uses a piezo-resistive pressure sensor which is connected to the pressure of the medium via a capillary tube and a diaphragm. Media pressure applied to the diaphragm is transferred via silicon oil to the pressure sensor. The oil completely fills the cavity in the sensor, the capillary tube and the cavity above the diaphragm. This means that the diaphragm movement is very small at pressure changes. The capillary



tube protects the pressure sensor from transient pressure surges. To ensure that the sensor has the correct reference pressure, the rear side is connected to ambient atmospheric pressure, via a tube, designed in order that air passes "cold surfaces" closest to the pressure connection of the transmitter. Any humidity in the air will condense on these surfaces. The condensate flows out and the remaining air in the tube stays dry. Additionally, the reference pressure connection is designed to prevent flushing water from entering.

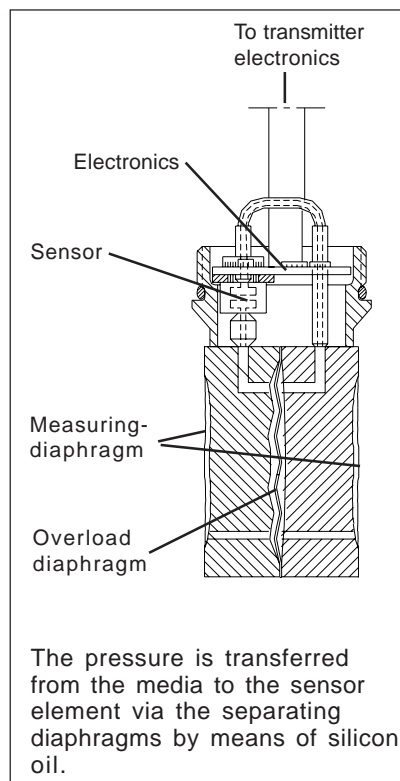
PTE200 has microcomputer-based electronics, which communicate with the outside world with 4 to 20 mA signal as well as HART communication (PTE200H). The electronics measure and converts the output signal from the pressure dependent sensor bridge to digital values. Furthermore, the total resistance of the sensor bridge is

measured and these values are converted to digital temperature values.

The electronics perform compensation for temperature drift of the sensor by means of compensation values entered at the factory calibration and at the same time the temperature measurement is also calibrated. Compensation for the non-linearity in the sensor is done in the same manner. Different kinds of transfer functions, such as linear, square root, curves..., can be selected. The electronics perform the calculation for the selected transfer function and then the digital value is converted to analogue for the 4 to 20 mA current loop. The digital value can also be read via HART (PTE200H) communication in optional engineering units, percentage or current. PTE200 can be configured/calibrated to a certain extent by means of keys and switches in the connection space and fully by means of a hand terminal or a PC via HART (PTE200H) communication.

Transmitter for Differential Pressure

The transmitter has a central piezo-resistive sensor connected to the membrane chambers via two capillary tubes. Each of the two process media pressures act on a separating membrane that have a small spring



constant. An overload membrane with adapted spring constant is located between the two separating membranes. The membrane chambers and the sensor are filled with silicon oil. The pressure on both sides of the overload membrane is transferred to the sensor by means of the silicon oil. At a pressure difference between the two separating membranes within the measuring range of the transmitter, all three membranes will move freely. At overload exceeding the measuring range one of the separating membranes will however lay against the profiled surface while the overload membrane still can move freely. The differential pressure across the sensor can in that way not increase further even if the differential pressure across the separating membranes increases. This protects the sensor against overload and transient pressure surges.

The electronics perform compensation for temperature drift of the sensor by means of compensation values entered at factory calibration, and at the same time the temperature measurement is also calibrated. Compensation for the non-linearity in the sensor is done in the same manner. Different kinds of transfer functions, such as linear, square root, curves..., can be selected. The electronics perform the calculation for the selected transfer function and converts the digital value to an analogue signal for the current loop 4 to 20 mA. The digital value can also be read via HART (PTE200H) communication in optional engineering quantity, percentage or current. PTE200 can be configured/calibrated to a certain part by means of keys and switches in the connection space and fully by means of a hand terminal or a PC via HART (PTE200H) communication.

PI2000

PI2000 is a software tool on CD-ROM for Windows95/98/2000/XP and Windows NT for configuration, calibration and documentation. PI2000 contains a database with available transmitter types. The program can configure transmitter specific values and perform maintenance, output signal and factory calibration. Furthermore, PI2000 performs copying of current configuration, backup on to hard disc, transmitting/receiving via standard HART communication and a self-test with alarm functions.

PI2000 contains online presentation of help functions, data sheets and user manual.

Hand terminal

For parameter settings a hand terminal of HART type can be used, see more detailed description in *PI2000 User Manual*.

Approvals

PTE200 with connections 7, 8, 9, A, D, E, P and V are approved for 3A.

PTE200 is approved by DNV and explosionproof, EEx ia IIC T4, by NEMKO (according to the EU directive ATEX).

PTE200 are CE approved according to the EU directives for pressure equipment, PED, and EMC.

To consider

To obtain longtime and faultless operation of PTE200 there are some important factors to consider when choosing transmitter type and at installation.

All types

Pressure transmitters with piezoresistive sensors is designed to withstand a specific overload (see data). If the pressure on the diaphragm exceeds this limits, irrespective if it is for a long or short time, the sensor will be broken permanently.

Consider if such pressures will arise in the plant and choose the right type of sensor. If there is for example valves closing fast in connection to the transmitter high pressure surges can arise. Can there for example be steam surges?

The measuring diaphragm is the most exposed and easily affected part of the transmitter.

If the media is corrosive consider choosing the right diaphragm material. If there is any uncertainty please contact us for advise.

If existing diaphragm types is not sufficient it is possible to deliver transmitters with diaphragm coatings, for example teflon, epoxy, rubber. Please contact us for information.

Even though a diaphragm material is sufficient for a corrosive media it will be slightly affected. This imply that the measurement will be slightly changed over time (especially the zero point). This can be corrected by performing a maintenance calibration or a recalibration.

The transmitters electronic- and electric connection housing is approved for IP66. Use round signal/supply cable and tighten the cable feed through firmly. Make sure that the electronic housing cover is tight.

If the transmitter is installed in a dirty environment, make sure that the reference slit (see picture page before) always is open for the atmospheric pressure.

In plants with high vibration levels it is important to secure that the transmitters performance is sufficient. The most certain is to measure the vibrations amplitude resp. acceleration.

The transmitters are designed and tested for:

3-25 Hz, amplitude 1,6 mm
25-60 Hz, amplitude 0,21 mm
60-100 Hz, accel. 19,6 m/s²
(Standards: IEC770 and DNV Certification note 2.4 location class B.)

If vibration levels exceeds this consider using the transmitter type N (see Transmitter Types Description).

Transmitter removable during operation. (connection 6)

There are certain considerations that must be considered for this transmitter type. The diaphragm is more exposed on this type because the transmitter is pushed in/out of the valve.

Assure that the valve is not plugged or closed when the transmitter is pushed in. If soo the sensor might be permanently damaged.

This transmitter type has a small diaphragm and it is sensitive to damaged or corroded diaphragms. A maintenance calibration or recalibration might be required periodically.

Warning:

The transmitter cannot be replaced at high pressure due to the large force required to push the transmitter back into the valve housing. The area affected by the pressure is 7.5 cm².

The transmitter must not be pushed in when the ball valve is closed.

The transmitter must be fully extended before the ball valve is operated.

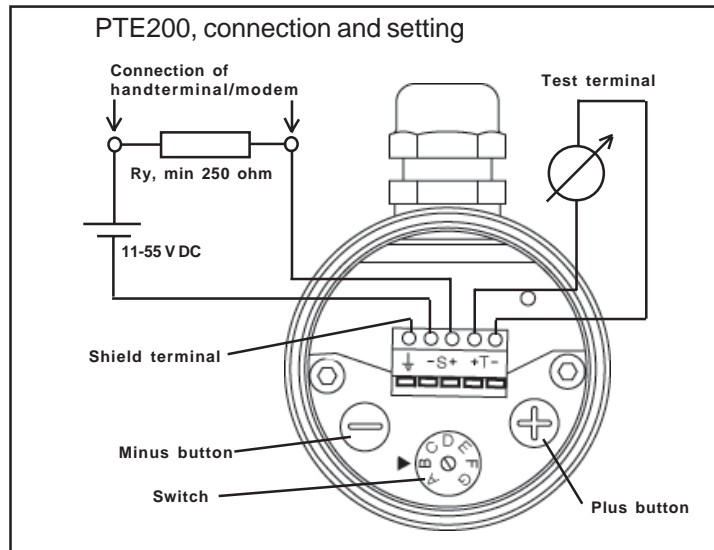
Accessories:

Description:	Transmitter type:	Code:	Description:	Transmitter type:	Code:
Installation kit	1, 2	P110301	Gasket ring clamp 38	9	K380002
Welding sleeve	3	P130201	Clamp ring 51	A	K380003
Adapter 2" to R 1 1/2"	3	P130301	Connection piece clamp 51	A	K380004
Flange 80 mm PN40 DIN2656 SS	4	P130401	Gasket ring clamp 51	A	K380005
Flange 80 mm PN10 DIN2656 SS	4	P130402	Welding stud 60 mm	6	P122901
Flange 50 mm PN40 316L/1.4404	5	P103602	Compression flange DN80	6	P123101
Flange 50 mm PN10 316L/1.4404	5	P103601	Ball valve PN63, DN32	6	P123001
Flange 50 mm PN6 316L/1.4404	5	P103603	Display	All types	P130501
Flange 50 mm "slip on" 150 lb	5	P109801	Configuration program for PC (Win.)	PTE200H	PI2000
Flange 50 mm "slip on" 300 lb	5	P109802	Hygienic with extended diaphragm 38	9	P112201
Flange 50 mm "slip on" 600 lb	5	P109803	Electropolishing of media touched parts	4-9, A, C, D, E, V	102511
Clamp ring 38	9	K380000	Materialcertificat (3.1.B certificat)	All types	102512
Connection piece clamp 38	9	K380001	Calibration certificat	All types	102510

Electrical connection

Follow this instruction (see pictures below):

1. Remove the cover of the transmitter to access the terminal chamber.
 2. Wire the transmitter cable through the cable bushing Pg 11. Use round cable and tighten the cable bushing firmly.
 3. Connect the transmitter cable to the terminals marked S+ and S-. Max. cable area is 2,5 mm².
If there is a separate shield cable, connect this to the terminal marked with shield symbol.
- (The transmitter is protected against wrong polarity. If + and- are exchanged there will be no signal.)



Settings PTE200

Settings of the transmitters span and zero is done directly on the transmitter by means of push buttons and a switch. First push of button activates the function. See figure above and tabel on next page.

In all positions except B and G the new values are saved after 30 seconds and normal measuring starts, independently of the switch position.

Position B is for normal operation.

Adjustment

Upon delivery, the transmitter is adjusted according to the specific requirements from the customer. Adjustment may be needed after being repaired or for check of the transmitter. Adjustment of the time constant, transfer function and locking current is done directly on the transmitter by means of push buttons and switch. Note that it is only necessary to adjust zero, according to position 4 below, at new installations.

1. Connect the transmitter to power supply.
2. To measure the output signal, connect a low resistance ($R < 6$ ohm) amperemeter to the test terminal.
3. Connect the pressure which shall constitute the *maximum* measured value. Adjust the higher limit with the switch in position D.
4. Connect the pressure which shall constitute the *minimum* measured value. Adjust the lower limit with the switch in position C.

Adjustment via the HART communication (PTE200H)

Adjustment of all transmitter parameters can also be done with the PC program PI2000 via HART modem. The modem is connected according to the figure above. See also *PTE200 User Manual*.

Switch positions PTE200A

Position	Function	Minus button (-)	Plus button (+)	Note
A	Selftest 30 seconds/ Factory reset	Restart	Restart	Both simultaneously for at least 10 s. resets factory adjustments.
B	Normal measuring	None	None	
C	Zero	Decreases mA	Increases mA	Both simultaneously gives 4 mA
D	Span	Decreases mA	Increases mA	Both simultaneously gives 20 mA
E	Time constant	Decreases time (0,1-10 s)	Increases time (0,1-10 s)	Both simultaneously gives 0,1 s. The output signal shows the time constant according to 10mA+1mA/1s
F	Transfer function	Linear	Square root	
G	Locking of current/ Current calibration	Sets 4 mA	Sets 20 mA	When depressing plus for 5 s the function changes to calibration of 20 mA (can then be adjusted with +/- buttons). When depressing minus for 5 s the function changes to calibration of 4 mA (can then be adjusted with +/- buttons).
H	Autozero	None	None	Both simultaneously puts the applied pressure as zero out.

Switch positions PTE200H

Position	Function	Minus button (-)	Plus button (+)	Note
A	Selftest 30 seconds	Restart	Restart	
B	Normal measuring	None	None	
C	Zero	Decreases mA	Increases mA	Both simultaneously gives 4 mA
D	Span	Decreases mA	Increases mA	Both simultaneously gives 20 mA
E	Time constant	Decreases time (0,1-10 s)	Increases time (0,1-10 s)	Both simultaneously gives 0,1 s. The output signal shows the time constant according to 10mA+1mA/1s
F	Transfer function	Linear	Square root	
G	Locking of current	Sets 4 mA	Sets 20 mA	
H	Autozero	Activate	None	Both simultaneously puts the applied pressure as zero out.

One button press gives 0,1 mA in position C and D. A continuously pressed button has a rate of change of 0,1 mA/0,5 s. After 5 s the rate of change is increased to 1 mA/1 s.

In position E one button press gives 0,1 s between 0,1-3 s and 1 s between 3-10 s. The output signal shows the time constant according to 10 mA+1 mA/1 s.

PTE200PA and PTE200FF

PTE200PA and PTE200FF have no adjustments direct on the transmitter. The adjustments are only accessible via the communication.

Generic software tools for PA and FF can be used.

See description in the User's Manual for PTE200PA/FF.

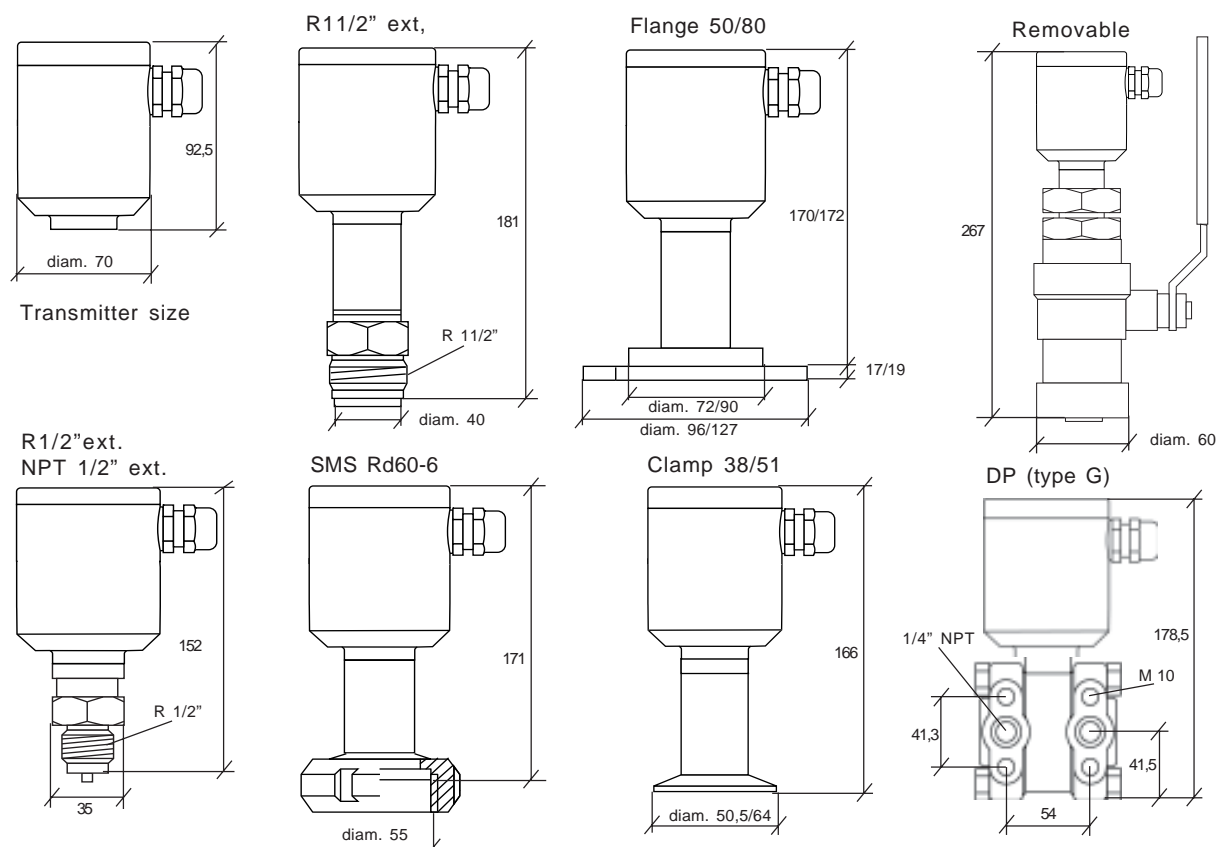
(FF released 2006).

Maintenance and repair

To obtain longtime and faultless operation of PTE200 some maintenance must be performed periodically. The time between maintenance depends on different conditions, for example transmitter type, type of media, surrounding environment (For example, corrosive media or particles in the media might affect the diaphragm and require short time between maintenance.) Generally maintenance should be carried out at least once a year.

PTE200A is adjusted according to instructions on previous page. PTE200H/PA/FF can be adjusted by performing a maintenance calibration via HART communication and the PC program PI2000. (Alternatively an adjustment is done according to instructions on previous page.) Selected spare parts to PTE200 can be delivered, please contact us for information. Repair is handled as an exchange system with fixed prices.

Outline: (mm)



Technical data PTE200H/PA/FF (differing data for PTE200A in brackets) * 4 :

Type:	Electronic pressure transmitter with microcomputer based electronics.	External series resistance:	R kohm = (Supply voltage -9)/20. For HART communication min. 250 ohm.
Function:	Directly connected transmitter with no pressure intermedium. Piezo-resistive sensor with capillary tube.	Series resistance dependant:	Less than +/- 0,1%
Operating range:	Adjustable from -100% to 100% of the max, pressure range value.	Supply voltage dependant:	Less than 0,1 %
Measuring span:	Adjustable from the max. pressure range to 1/30 of this.	Temperature tolerance:	Less than +/- 0,1% (0,25%) of max. span.
Zero point suppression:	Adjustable from -100% to 100% of the max, pressure range value.	Working pressure dependence: *1	Max 0,06% per MPa at max measuring range (200 kPa och 1 MPa) Max 0,2% per MPa at max measuring range (35 kPa).
Working pressure: *1	Max 15 MPa, static pressure. Flange 4 MPa.	Long time stability:	Less than 0,08 % per year.
Overload: *3	7 kPa: Max 100 kPa	Vibration tolerance:	
	35 kPa: Max 250 kPa	Perpendicular to diaphragm:	Max +0,3 kPa/G
	200 kPa: Max 500 kPa	Parallel to diaphragm:	Max +0,02 kPa/G
	2 MPa: Max 3 MPa	Vibration test:	Meets tests according to IEC770 and DNV class B
	4/8/10/15 MPa: Max 30 MPa	Repeatability:	Less than +/- 0,1 % of measuring range.
Material: Diaphragm:	Stainless steel/Hastelloy /Tantalum (special coatings upon request).	Accuracy:	Less than +/- 0,1 % of max. span (includes linearity, hysteresis and repeatability). *2
Related parts:	Stainless steel 1.4435	Installation:	Direct on process connection.
Housing:	Stainless steel 1.4306	Electrical connection:	Internal terminal block.
Ambient temperature:	-20° to +80° C	Max wire area:	2,5 mm ²
Time constant:	Interchangeable between 0,1-10 s. As delivered 0,1 s.	Cable entry:	Pg11 for round cable 5-12 mm.
Media temperature:	150° C *5	Protection class:	IP67
Output signal:	4-20 mA, two wire connection, the signal proportional to pressure. Max. current at overload 22,5 mA. HART , Profibus PA or FF communication.	Electrical safety:	Meets the EN60204-1
Supply voltage:	11-55 V DC	Electrical interference:	Meets the EN50081-2 and EN50082-2
Filling	AK100 silicon oil FDA approved for use with food.	Pressure safety:	According to EU directive PED (97/23/EG)
Weight:	Between 700-1500 g dependent on type	Intrinsic safety (ATEX):	EExia IIC T4 (Nemko)

*1 Only for differential pressure transmitter.

*2 Accuracy 0,05 % upon request.

*3 Applies for the sensor. For different types of processconnections there are mechanical limits.

*4 Some data diverge for Profibus PA and Foundation Fieldbus transmitters.

*5 Short time 200 degrees C. Some types upon request 275 degrees C.

